

दि ब्रेथवेट बर्न एण्ड जेसप कंस्ट्रक्शन कंपनी लिमिटेड

THE BRAITHWAITE BURN AND JESSOP CONSTRUCTION CO.LTD.
(A GOVT. OF INDIA ENTERPRISE)
Regd. Office: 27, RAJENDRA NATH MUKHERJEE ROAD
P.O. Box No. 264, Kolkata - 700 001 (WEST BENGAL)
PHONE NO. (033) 2248 5841-44; FAX: (033) 2210-3961
E-MAIL: info.bbjconst@bbjconst.com
Website: www.bbjconst.com

NIT/BBJ/M&P/D-2541/INSCRIPTION PLATE/2154/3135/G-36-2024

14 October 2024

Offers/Bids under **Two – Part Bidding System** (i.e. Techno-Commercial Bid & Price Bid) are invited from reputed manufacturers those have experience in manufacturing & supply of Inscription Plates with/ without Nuts & Bolts as per scope of work and who will fulfill the qualifying requirements given under are eligible to quote against the above NIT:

i.	SCOPE OF THE WORK/ SUPPLY	Manufacture & Supply of 12mm thick Cast Iron make Inscription Plate with 13.5mm Dia Turned & Fitted Bolts of Grade: 4.6 and Nut (Gr.4)
ii.	DESCRIPTION AND QUANTITY	As per attached Scope of Work/ BOQ
iii.	DELIVERY PERIOD	Within 45 (Forty-Five) days from the date of LOA/Order whichever is earlier.
iv.	DELIVERY PLACE	At The Braithwaite Burn and Jessop Construction Co. Ltd. (A Govt. of India Enterprise), Ganga Bridge Project, Katka Road (Old G.T Road), Near Jhusi, Dist.: Prayagraj, Pin – 211 019 (UP) BBJ GST No. 09AAACT9760B1ZA.
v.	EARNEST MONEY DEPOSIT (EMD)	RS. 25,000/- (Rupees Twenty-five thousand only) by Demand Draft/ Banker's Cheque/ NEFT/ RTGS in favour of "THE BRAITHWAITE BURN AND JESSOP CONSTRUCTION COMPANY LIMITED" payable at Kolkata. Micro And Small Enterprises (MSE) will be waived from submitting EMD subject to submission of the declaration of UAM/ UDYAM number on the Portal.
vi.	SECURITY DEPOSIT	Not Applicable
vii.	RATE PER UNIT	Rate per Unit should be inclusive of delivery charges up to Delivery Place as stated above and GST.
viii.	SPLIT TING OF TOTAL QUANTITY.	Not Applicable
ix.	REVERSE AUCTION	Not Applicable
x.	Quantity Variation	±25%
xi.	PAYMENT	Within 45 days from the date of acceptance of goods and submission of clear Bills/Tax Invoices.

दि ब्रेथवेट बर्न एण्ड जेसप कंस्ट्रक्शन कंपनी लिमिटेड

xii	DOCUMENTS	<p>The following documents should be uploaded/submitted by the tenderer/bidder with their offer:</p> <p>(a) Copy of GST Registration Certificate.</p> <p>(b) Copy of PAN Card</p> <p>(c) BBJ Tender (Additional Terms & Conditions) except Price Part with seal and stamp on each page.</p> <p>(d) Copy of Orders with Co-related Tax Invoices/ Experience Certificate/ Completion Certificate showing Past Experience in respect of manufacturing and or supply of Inscription Plate with Bolts & Nuts/ without Bolts & Nuts to any Govt. Organisations/ Public Sector Companies/Any Company those are engaged in Construction of Railway Bridges directly.</p> <p>(e) BBJ Drawing Sheet No. 2154-IP-SK-03 (Rev:1) dt. 22.06.2023 and No. 2154-76.2M-SK-04 Dt. 27.06.2023 duly signed with official stamp.</p>
xiii.	MODE OF SUBMISSION	Online through Government e-Procurement System

(पार्थ नंदी)/ (Partha Nandi)
मुख्य प्रबंधक (परियोजना)/ Chief Manager (Project)

INSTRUCTION TO TENDERERS

1.0 MODE OF SUBMISSION OF BID:

Any eligible bidder/tenderer/contractor (as per tender criteria) those are enrolled and registered with the Government e-Procurement System, through logging on to <https://gem.gov.in>, may submit their Bid online through e-Tendering System of GeM Portal – <https://gem.gov.in>.

Tender Document to be digitally signed by the bidders/tenderers/contractors with their official seal. The rates in appropriate space in the **BOQ** should be properly filled in. Tenders to be submitted in **TWO PARTS**.

Hard copy of the uploaded/submitted Bid (Only Technical Part) to be submitted to this office physically along with the EMD (if applicable).

2.0 Bids will be in **TWO PART**. **1st Part** will be treated as **Techno Commercial Bid** and **2nd Part** will be treated as **Price Bid**.

The offer/bid should comprise of:

- (i) Part-1 : Techno-commercial Bid & EMD
- (ii) Part-2 : Price Bid

Incomplete tenders submitted with qualified conditions(s) at variance with Instruction to Tenderers/ General Terms & Conditions are liable to be rejected summarily.

3.0 Only the techno-commercially acceptable Tenderers/bidders/contractors will get the intimation of opening of the price bid. Price Bid (Part-II) shall be opened at a different date for which separate intimation will be sent electronically via GeM Portal.

4.0 Any deviation of your Bid/Offer/Quotation will be treated as cancelled.

5.0 TECHNO COMMERCIAL PART :-

The Techno-Commercial Part will consist of :-

PRE-QUALIFICATION CRITERIAL OF THE BIDDERS

Documentary evidence satisfying the Pre-Qualification Criteria (PQC) should be provided as part of the Technical Bid. Any bidder not qualifying PQC criteria will be rejected, and Price Bid will not be opened.

The Techno Commercial Part should contain the following documents, which are to be submitted/uploaded with the offer:

- (a) Copy of GST Registration Certificate;
- (b) Copy of PAN CARD ;
- (c) BBJ Tender Document (Additional Terms Conditions), except Price Part duly signed with official stamp on each pages;
- (d) BBJ Drawing Sheet No. 2154-IP-SK-03 (Rev:1) dt. 22.06.2023 duly signed with official stamp.
- (e) BBJ Drawing Sheet No. 2154-76.2M-SK-04(Rev:0) dt. 27.06.2023 duly signed with official stamp.
- (e) Documents supporting to "**Eligibility Criteria**" as per **Clause No. 2** of Special Condition of Contract as under:
- (f) Copy of Orders with Co-related Tax Invoices/Experience Certificate/Completion Certificate showing Past Experience in similar works/supply:
"SIMILAR WORKS" Means:- Manufacture and or Supply of Inscription Plats in different capacity/sizes with Bolts or without bolts.

PRICE PART:

- (a) Properly filled up **BILL OF QUANTITY** duly digitally signed to be uploaded in Financial Part with HSN Code of each quoted item(s);
- (b) This part must be free from any conditions.
- (i) Bidder shall take into account all costs including unloading at the location of purchaser, cartage etc. for giving delivery of materials at site before quoting the rates. In this regard no claim so ever shall be entertained.

दि ब्रेथवेट बर्न एण्ड जेसप कंस्ट्रक्शन कंपनी लिमिटेड

- (ii) The price quoted in the financial bid shall be firm and shall include delivery charges and GST. Any variation in the taxes, duties, levies etc. till completion of supply to the location shall be to the bidder's account.
- (iii) No extra payment shall be made on account of any discrepancy in nomenclature of items. The bidder shall seek clarifications if any before submitting the tender.
- (iv) No representation for the enhancement of the prices of the accepted tender or alternation of the terms & conditions will be entertained till supplies are completed to the designated location.

Those bidders who are found to be qualified as per the criteria of techno commercials bid, the price bid of the qualified bidders only be opened through GeM Portal.

- 6.0** Conditional tenders and/or tenders with Deviations shall be straightway rejected and no additional clause will be entertained.
- 7.0** VALIDITY OF TENDER: - 90 (NINETY) days from the date of opening of tender or for a further period if mutually accepted.

SPECIAL CONDITION OF CONTRACT

1.0 DEFINITIONS AND INTERPRETATION:

In this Tender Document, as hereinafter defined, the following words and expressions shall have the meaning as under:

- a) "**BBJ**" shall mean THE BRAITHWAITE BURN AND JESSOP CONSTRUCTION COMPANY LIMITED having its Registered Office at 27, R. N. Mukherjee Road, Kolkata- 700 001.
- b) "**TENDER**" shall mean the proposal submitted by the Tenderer/ Bidder/ Supplier/ Dealer/Agency in response to BBJ's Notice of Invitation to this Tender Document.
- c) "**ORDER**" shall mean a written Work/ Purchase Order issued by BBJ.
- d) "**TENDERER/ BIDDER**" shall mean the firm or Company (hereinafter called Tenderer/ Bidder) who duly submits the tender after accepting all the terms & conditions of the tender document.
- e) "**SUCCESSFUL BIDDER**" shall mean whose tender has been accepted by BBJ.

2.0 ELIGIBILITY CRITERIA:

- (i) The bidder must enclose/ upload the copy of Orders with Co-related Tax Invoices/ Experience Certificate/ Completion Certificate in connection with manufacturing and or supply of Inscription Plates in different capacity/sizes with Bolts or without Bolts - issued by any Govt. Organisations / Public Sector Companies or If, Any Company those are engaged in construction of Railway Bridges directly.
- (ii) Average Annual Financial Turnover during the **last three (3) financial years** ending 31st March of the previous financial year should be at least **₹ 1.77 lakh**.

3.0 SCOPE OF WORK/SUPPLY: -

Manufacture and supply of:

- (a). **12mm thick Cast Iron make Inscription Plate required for 61.0M Span as per attached BBJ Drawing No. 2154-IP-SK-03 (Rev:1) dt. 22.06.2023.
Qty.: 48 (Forty-eight) Nos.**
- (b). **13.5mm Dia Turned & Fitted Bolts of Grade: 4.6 with Nuts & Washers required for fixing of Inscription Plates as per attached BBJ Drawing No. 2154-76.2M-SK-04(Rev:0) dt. 27.06.2023
Qty.: 200 (Two hundred) Sets.**

4.0 UNIT RATE:

The bidder must submit their offer **strictly as per the Bill of Quantity (BOQ)** of this tender document. The bidder must quote their Basic Price/Unit Price which will be **inclusive** of delivery charges up to delivery place and GST. The price must be firm during the tenure of this supply/contract and no escalation of any account will be allowed.

5.0 DELIVERY PLACE (SHIP TO & BILL TO):

Ganga Bridge Project, Katka Road (Old G.T Road), Near Jhusi, Dist.: Prayagraj, Pin – 211 019 (UP)
GST No. 09AAACT9760B1ZA.

6.0 DELIVERY PERIOD: -

Delivery to be completed **within 45 days** from the date of LOA/Order whichever is earlier.

Notes:

- (a). BBJ reserve the right to curtail the item/quantity/delivery time/contract period and to terminate the contract/delivery at any time without assigning any reason whatsoever by giving three weeks' notice in advance.

7.0 EARNEST MONEY DEPOSIT: RS. 25000/-.

8.0 SECURITY DEPOSIT: NIL.

9.0 SPLITTING OF TOTAL ORDER QUANTITY: Not Applicable.

10.0 **REVERSE AUCTION:** Not Applicable.

11.0 **PAYMENT:**

Payment will be made **within 45 days** from the date of acceptance of goods and submission of a clear Bill/Tax Invoice.

12.0 **GOODS AND SERVICE TAX (GST):**

- i) The successful bidder shall be liable to pay all applicable taxes including Goods and Service Tax (GST) or any other tax or cess and show the amount of CGST, SGST, IGST, Cess or any other tax, as applicable, separately in the bill/ invoice/ debit/ credit notes. Successful bidder shall quote their GST Identification No. (GSTIN) in all its bills/invoices/ debit/credit notes.
- ii) The successful bidder has to provide a proper invoice/ debit/ credit notes bearing QR Code wherever applicable in the form and manner prescribed under rules of the GST Act/ rules containing all the particulars mentioned therein. In the event the successful bidder fails to provide the invoice/debit/credit notes in the form and manner prescribed under GST, then in the event of such non-compliance of the GST Act/Rules, the successful bidder shall be liable to indemnify for any losses to the Company.
- iii) The successful bidder shall raise their tax invoice in the regular interval as per contract condition and upload their supply invoice in GSTN Portal through GSTR-1 return with 10th of next month. Mismatch in return of BBJ due to any reason attributable to the bidder, the same shall be recovered from Bidder's bill.
- iv) The successful bidder shall upload/ submit/ report all supply invoices/ debit/ credit notes details in the form of prescribed statements/returns on the GSTN portal on or before the prescribed due dates date as per GST act/rules. The successful bidder shall pay the balance payable GST amount against supplies made to the Company on a monthly basis within due date from the appointed date regularly. Successful bidder shall reconcile the differences/ mismatches in submissions on GSTN portal if any before submission of their final monthly return.
- v) The successful bidder shall issue a credit note or debit note (if any) with reference to an original invoice within the prescribed time limit as per GST Act/ rules only after acceptance from the Company and the same shall be uploaded by the successful bidder in the GSTN portal in the same month. Successful bidder shall issue and submit the supplementary invoices (if any) with reference to original invoices to the Company promptly and within the prescribed time limit as per GST act/rules and the same shall be uploaded by the successful bidder in the GSTN portal in the same month. In case there is any loss of credit or additional liability and/ or interest etc. arises due to non-compliance by the successful bidder, the same shall be reimbursed by the successful bidder to the Company. In case the successful bidder disqualifies in any of the above, please note that the input tax credit (GST) shall not be available to the Company and the Company has right to hold the GST amount without any intimation until the matter get resolved and credit is available to the Company.
- vi) In the event where the input tax credit of the GST charged by the successful bidder is denied by the tax authorities to the Company, the Company shall be entitled to recover such amount from the successful bidder by way of adjustment from the next tax invoice/debit note. In addition to the amount of GST, the Company shall also be entitled to recover from the successful bidder interest along with applicable penalty imposed on the Company under GST laws. It is further agreed that in case the successful bidder fails to charge GST, if applicable, on the services/activities forming part of this agreement, at the time of raising invoices; the Company shall not be liable or responsible for reimbursing such tax, at any later date.
- vii) The Company reserves the right to change the aforesaid GST/ Tax terms and conditions as notified from time to time by Government of India or respective State Governments. It is further clarified that all payments under this agreement shall be subject to withholding taxes, if applicable.
- viii) At present GST-TDS is applicable. Deduction of GST-TDS at source would be enforced from the running bills at the rates prescribed. The GST (i.e., SGST, CGST or IGST) amount shall be shown separately in invoice and also submit proper Tax Invoice as per section 31 of CGST Act, and Rule 46 of CGST Rules, 2017 to get Input Tax Credit by BBJ.

13.0 NEW LEVIES/ TAXES

In case Government imposes any new levy/tax or modifies rate of existing taxes including GST after awarding of the work during the tenure of the contract, BBJ shall reimburse the same at actual on submission of documentary proof of payment subject to the satisfaction of BBJ that such new levy/tax applies to this contract.

14.0 LIQUIDATED DAMAGES:

If the successful bidder causes any delay in supply as per LOA/ Order whichever is earlier by disobeying the stipulated time frame then BBJ shall have the right to charge penalty @ 0.50% (zero decimal five zero percent) of the order value per week or part thereof, subject to a maximum of 5% (five percent) of Order value and the decision of BBJ in this respect shall be final.

15.0 SUBLETTING OF WORK/SUPPLY:

No part of Work/Purchase Order nor any share or interest thereof shall in any manner of degree be transferred, assigned or sublet by the vendor directly or indirectly to any firm or corporation whatsoever without the prior consent in writing of BBJ.

16.0 GUARANTEE:

If the supplied item/quantity is found defective, the defective item/quantity is to be replaced by the supplier at their risk and cost.

17.0 TERMINATION OF THE CONTRACT:

In the event, BBJ finds that the successful Bidder's progress is consistently below the accepted pace based on the program scheduled mentioned in this document or fixed by BBJ and/or if the quality of works being executed by the successful Bidder falls below the expected standards laid down by BBJ, in such cases, in the interest of timely and successful completion of the project and to maintain the high quality of work, BBJ reserve the right to delete the Scope of Work of the successful Bidder, or, the entire balance work to be taken away from the successful Bidder and BBJ shall be at liberty to get such works done/executed by any other agency/ agencies. Moreover, BBJ shall not be liable to pay any compensation or make good any damage/s or to effect any other payment to the present successful bidder for any ground whatsoever.

The successful bidder shall be debarred from participating in the tender for executing the balance work. If the successful bidder is a JV or a Partnership firm, then every member/partner of such a firm shall be debarred from participating in the tender for the balance work in his/her individual capacity or as a partner of any other JV /partnership firm.

The defaulting successful bidder shall not be issued any completion certificate for the contract.

All the statutory obligations including maintaining the all other local rules & regulations/ rules of local Govt. bodies should be abide & complied by the successful Bidder and any consequence comes out from the act or omission of the successful Bidder which can result stoppage of work or the successful bidder fails to comply any of its respective Contractual obligation(s) within stipulated time frame, in that event BBJ reserves the right to terminate the contract and to take any action against the successful Bidder (such as forfeiture of EMD/ Security Deposit, encashment of Performance Bank Guarantee, non-payment/ forfeiture of RA Bills etc.) and the decision of BBJ in this respect shall be final.

In the above situations, BBJ reserves the right to issue a notice in writing to that effect and if the successful bidder does not within seven days after the delivery to him of such notice proceed to make good his default in so far as the same is capable of being made good and carry on the work or comply with such directions as aforesaid of the entire satisfaction of the BBJ, then BBJ shall be entitled after giving 48 hours' notice in writing to rescind the contract as a whole or in part or parts (as may be specified in such notice) and after expiry of 48 hours' notice, a final termination notice should be issued by BBJ.

18.0 JURISDICTION OF COURT:

The Courts at Kolkata shall have the exclusive jurisdiction to try all disputes, if any, arising out of this agreement between agencies/parties.

19.0 ARBITRATION:

In case a dispute or difference of any kind whatsoever, arises out of or relates to the Contract or ancillary / incidental as to the terms and conditions of it or relates to any matter for execution and/or performance of the Contract, between the parties to the Contract, it is a term of the agreement interpretation made parties herein that before invoking arbitration, the aggrieved party shall first & foremost refer the matter to the Competent Authority of BBJ and the decision / recommendation / interpretation made by the said Competent Authority of BBJ shall be final & binding upon both the parties.

On the failure of the procedure prescribed above or if a party is dissatisfied with the decisions / recommendations aforesaid, and notwithstanding anything else contained elsewhere, the aggrieved party may by a notice in writing to the Competent Authority of BBJ clearly evince the intention to refer the disputes and differences that have arisen between the parties to Arbitration by constitution of an Arbitral Tribunal. The Arbitral Tribunal shall consist of three Arbitrators, one each to be nominated by the respective parties and the third to be appointed by the nominated arbitrators.

Pending submission of and/or decision on a dispute or difference as aforesaid or until the Arbitral Award is published, the parties (if the Contract is not terminated / cancelled) shall continue to perform all of their obligations under this Agreement and the Contract, without prejudice to a final adjustment in accordance with such award.

The decision of the Arbitral Tribunal arrived at after hearing the parties shall be final and binding upon the parties. The Arbitration Proceedings shall be conducted in accordance with the Arbitration and Conciliation Act, 1996 or any statutory modifications or re-enactments thereof.

It is also agreed by the parties that the Arbitration Proceedings shall be conducted in English language. The venue of Arbitration shall be Kolkata only and any proceedings arising out of this Agreement / Contract shall be subject to the jurisdiction of Courts at Kolkata.

19.0 ORDER OF PRIORITY OF CONTRACT DOCUMENTS:

Where there is any conflict between the various documents in the contract, the following order of priority shall be followed i.e. a document appearing earlier shall override the document appearing subsequently :-

- (a). Schedule of Items, Rates & Quantities
- (b). Special Condition of the Contract (SCC)
- (c). Technical Specifications (TS)
- (d). Scope of Work/Supply (SOW)
- (e). Notice Inviting Tender
- (f). Instructions to the Bidders (IB)
- (g). General Conditions of Contract.

20.0 IMPORTANT NOTES:

BBJ reserves the right to:

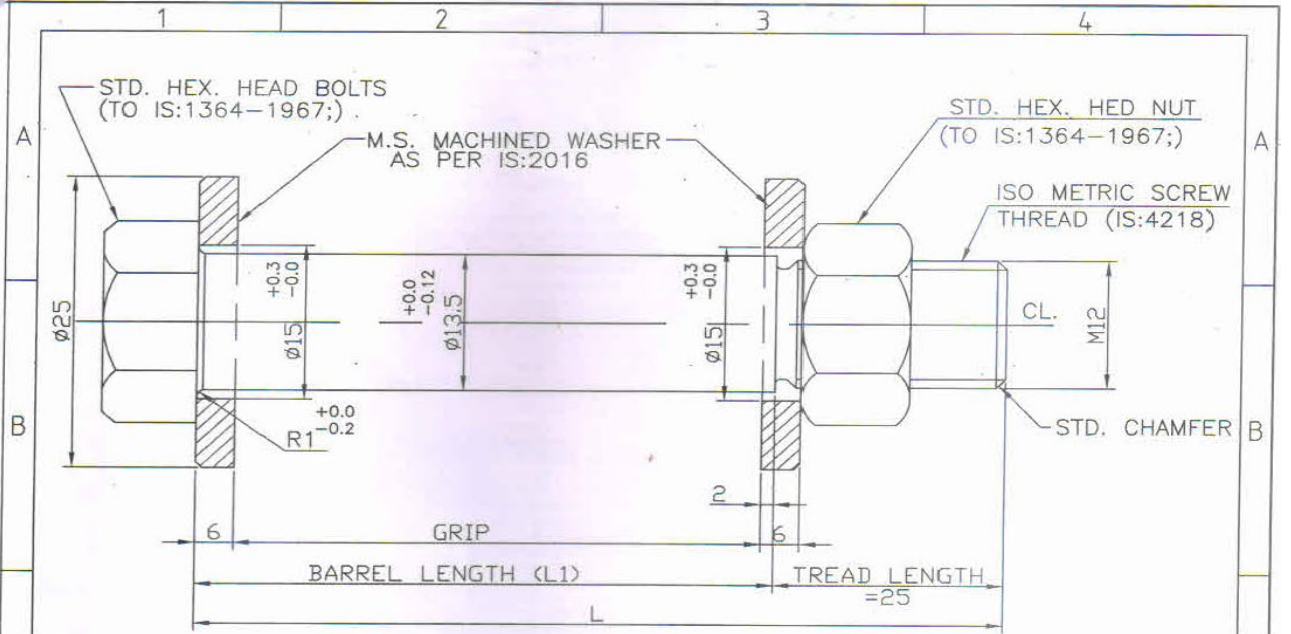
- 20.1 To cancel/discharge the tender at any point of time/at any stage.
- 20.2 Increase/ decrease/ alter the quantity / duration of contract period/delivery period/time of supply with corresponding change in the value of contract.
- 20.3 May ask for further qualification during techno commercial scrutiny of bids received.
- 20.4 BBJ shall not be liable for any expenses incurred by service/work/supply in preparation of bid irrespective of whether it is accepted or not.
- 20.5 Canvassing i.e. soliciting favour, seeking advantage etc. in any form is strictly prohibited and any party/ agency found to have engaged in canvassing shall be liable to have his bid rejected summarily.
- 20.6 If the Tenderer deliberately gives any wrong information in his tender to create circumstances for the acceptance to his bid, BBJ reserves the right to reject such application.
- 20.7 All costs and incidental expenses for preparation of the tender, discussion, conference, pre-tender, pre-award discussion with BBJ shall be to the account of the tenderer and BBJ shall bear no liability whatsoever on such cost of expenses.
- 20.8 The Tenderer shall submit his price bid/offer in Indian Rupees and payment under this contract will be made in Indian Rupees.
- 20.9 Incomplete tenders, who are not accompanied with all the required documents and conditional tenders are liable for rejection without assigning any reason thereof.

दि ब्रेथवेट बर्न एण्ड जेसप कंस्ट्रक्शन कंपनी लिमिटेड

- 20.10 Tenders in which any of the particulars and prescribed information is missing or is incomplete in any respect and / or the prescribed conditions are not fulfilled shall be considered non-responsive and are liable to be rejected.
- 20.11 The right to accept the tender will rest with the Company (i.e. The Braithwaite Burn and Jessop Construction Co. Ltd.). Further BBJ does not bind itself to accept the lowest tender and reserves to itself the authority to reject any or all the tenders received without assigning any reason whatever.
- 20.12 Incomplete tenders submitted with qualified conditions(s) at variance with Instruction to Tenderers/ General Terms & Conditions are liable to be rejected summarily.

(पार्थ नंदी)/ (Partha Nandi)
मुख्य प्रबंधक (परियोजना)/ Chief Manager (Project)

दि ब्रेथवेट बर्न एण्ड जेसप कंस्ट्रक्शन कंपनी लिमिटेड



C	TYPE	BARREL DIA. OF BOLTS	THREAD SIZE	GRIP	BARREL LENGTH (L1)	THREAD LENGTH	TOTAL LENGTH (L)	TOTAL NOS.	GRADE	ROUND WASHER OUTER DIA	TOTAL NOS. ROUND WASHER	WASHER BORE DIA	FOR FIXING AT LOCATION
	1	13.5	M12	37	45	25	70	200	4.6	25	400	15	ON END RAKER TOP FLANGE 24x76.2 M SPAN

TOTAL 200 NOS. TURNED & FITTED BOLTS REQD. THUS INCLUDING 8 NOS. SPARE FOR FIXING 48 NOS. INSCRIPTION PLATE WITH END RAKER

NOTE:-

1. ALL DIMENSIONS ARE IN MM.
2. BOLT ARE GRADE 4.6 & NUTS GRADE 4.0.
3. BOLTS AND NUTS ARE CONFORM TO IS:1364 & IS:1367 & ROUND WASHER IS:2016



**THE BRAITHWAITE BURN & JESSOP
CONSTRUCTION CO. LTD, KOLKATA
(A GOVT. OF INDIA ENTERPRISE)**

OWNER CLIENT:

NORTH EASTERN RAILWAY

CLIENT:

RAIL VIKAS NIGAM LIMITED

PROJECT: CONSTRUCTION OF 24x76.2M SPAN IMPORTANT BRIDGE OVER RIVER GANGA AT ALLAHABAD BETWEEN JHUSI AND DARAGANJ STATION OF NER IN THE STATE OF UTTAR PRADESH, INDIA

TITLE: DETAILS OF TURNED & FITTED BOLTS FOR FIXING INSCRIPTION PLATE IN END RAKER OF 76.2 M. SPAN

SCALE:- 1:1

NAME

DATE

B.B.J. ORDER NO.- 2154

DRAWN BY:

A.K.SETH

27.06.23

DRG. NO.

REV.

CHECKED BY:

S.MAJUMDER

27.06.23

2154-76.2M-SK-04

0

REQD. NO:-

DATE:-

APPROVED BY:

SHEET:

A4