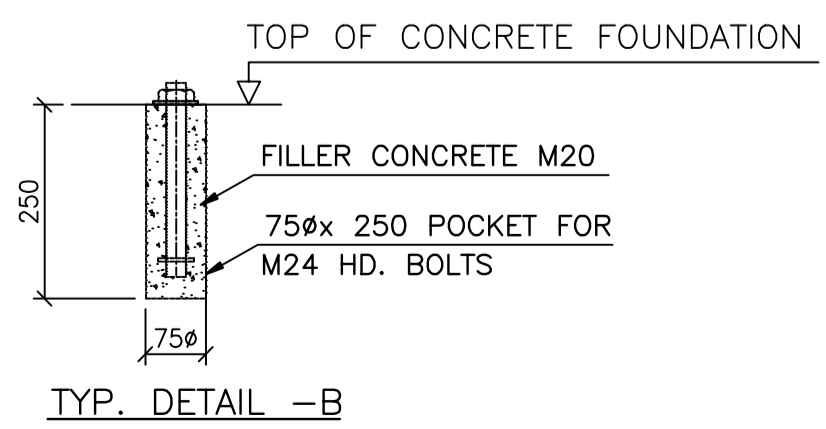
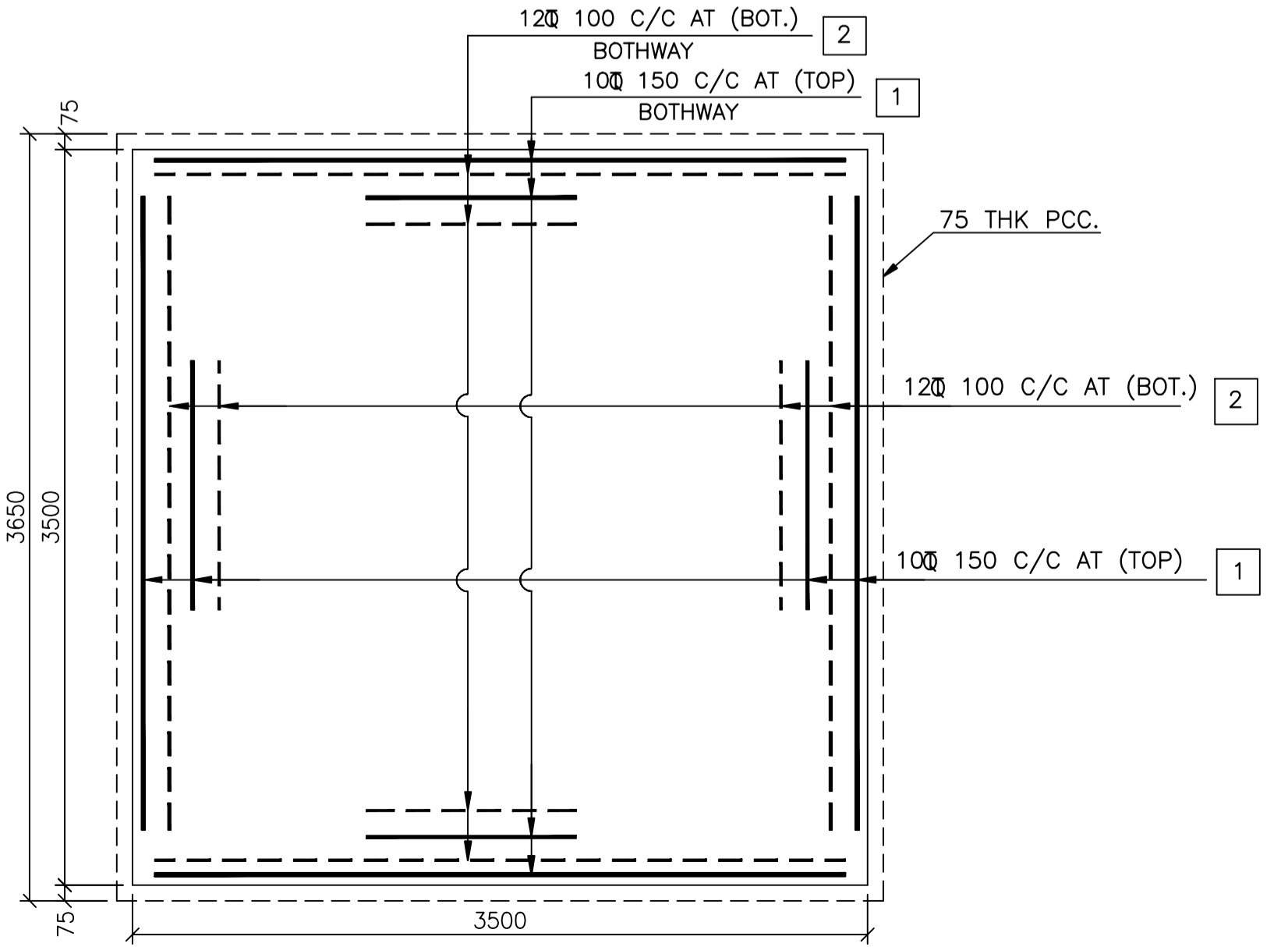


REINFORCEMENT DETAIL FOR FOUNDATION MKD. F1 - 18 NOS.												
BAR MKD.	DESCRIPTION	SIZE	SHAPE	A	B	C	D	LENGTH	Nos.	UNIT WT.	WEIGHT IN KG./FD	TOTAL WEIGHT IN KG. FOR 18 F1
1	TOP	10φ		3420	100	-	-	3620	46	0.62	103.24	1858.32
2	BOTTOM	12φ		3420	100	-	-	3620	68	0.89	219.08	3943.48
NET QTY.=										322.32	5801.80 KGS.	

- NET VOLUMN OF CONCRETE PER FOUNDATION MKD. F1 - 3.5x3.5x0.35 CUM. = 4.29 CUM.  
NET VOLUMN OF CONCRETE 18 NOS FOUNDATION MKD. F1 - 3.5x3.5x0.35 CUM. x 18 = 77.22 CUM.
- NET VOLUMN OF PCC PER FOUNDATION MKD. F1 - 3.65x3.65x0.075 CUM. = 0.999 CUM.  
VOLUMN OF PCC 18 NOS FOUNDATION MKD. F1 - 3.65x3.65x0.075 CUM. x 18 = 17.982 CUM.



- NOTES:-**
- ALL DIMENSION ARE IN MM.
  - PCC GRADE OF CONCRETE M10 (1:3:6).
  - RCC GRADE OF CONCRETE M20 & CLEAR COVER 40 mm.
  - BAR Fe 500 D CONFORMING TO IS:1786.
  - TRESTLE HEIGHT TO BE DECIDED AS PER EXISTING RIVER BED LEVEL.
  - FOR DETAIL OF TRESTLE SUPPORT REF. BBJ'S DRG. NO .

ADVANCE COPY

**THE BRAITHWAITE BURN & JESSOP CONSTRUCTION COMPANY LIMITED, KOLKATA**  
(A GOVT. OF INDIA ENTERPRICE)

CLIENT: **NORTH EASTERN RAILWAY**

PROJECT: **PROPOSED RAIL BRIDGE ACROSS RIVER GANGA AT ALLAHABAD OF 24x76.2M FOR DOUBLE LINE (AT U/S OF EXISTING BRIDGE NO 111, 40x45.70M)**

TITLE: **TEMPORARY RCC RAFT FOUNDATION FOR TRESTLE SUPPORT OF 76.2M SPAN (P2 - P3) - GANGA BRIDGE, ALLAHABAD**

REV.	DATE	DESCRIPTION	BY	APPROVED BY:	SHEET SIZE:- A1	SHEET :-